



Leading the way in
**Sustainable
Home Heating**

Envirocyl Quick Plumb Unit

Meets All Your Hot
Water Needs.

Ideal for a New Build
or Home Upgrade.



Environment



Innovation



Technology

The easy solution when installing a Firebird Heat Pump

☎ IRL: +353 (0)26 45253 | NI: +44 (0)28 3088 8330 | UK: +44 (0)1752 691177

✉ IRL: sales@firebird.ie | NI: salesni@firebird.ie | UK: sales@firebird.uk.com

www.firebird.ie | www.firebird.uk.com

Why Choose a Firebird Envirocyl Quick Plumb Unit?

With a large proportion of the plumbing work already done at the factory, a pre-plumbed cylinder can substantially cut onsite installation time by around 70%, reducing the amount of disruption to the customer. In addition to significant reductions in installation times, pre-plumbed cylinders bring a consistency to each installation for a neater, more aesthetically appealing finish. They can also represent a substantial reduction in hassle and disruption to the homeowner or a house built as part of a planned build project. With the most time-consuming aspects of the installation taken care of, all the plumber has to do is connect the Quick Plumb Unit, do a quick check of all the connections and it is ready for commissioning. The Envirocyl Quick Plumb Unit is compatible with the Firebird Enviroair Heat Pump.

We have multiple options available to suit your heating requirements:

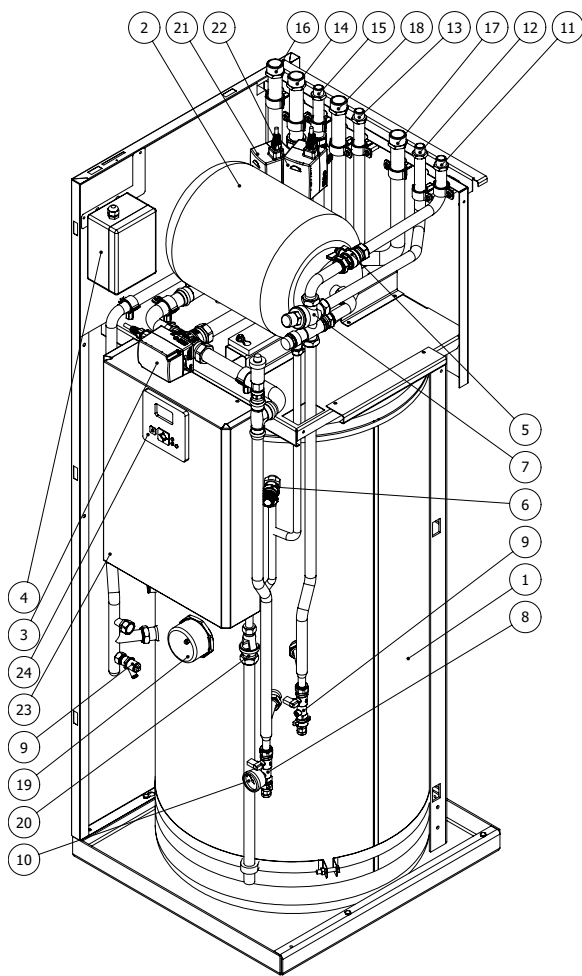
- Cased/uncased • vented/unvented • 180/210/300 litres.

Features

- Easy access for installation and servicing.
- Fully pre-plumbed and pre-wired.
- Premium quality white case finish.
- High flow rate controls - ideal for multiple bathrooms.
- All pipework connections are BSP.
- Mains pressure hot water for fast filling baths and powerful showers.
- Fast reheat and high insulation values, resulting in high efficiency.
- User-friendly PCB controller.
- Quick drain down system.
- Ready to be paired with Hi-Kumo smart control app.



Parts & Dimensions

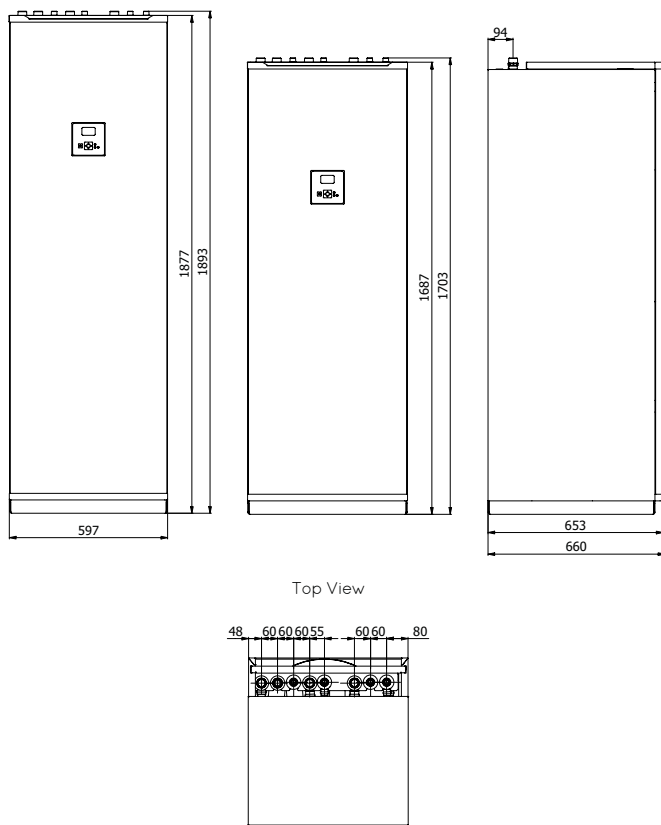


Part Number	Description
1	Domestic Hot Water Store
2	19 litre Expansion Vessel
3	Diverter Valve
4	Junction Box
5	Shut-off Valve
6	Temperature & Pressure Relief Valve
7	Pressure Reducing Valve
8	Filling Loop Valve
9	Filling Loop Valve - Drain Valve
10	Pressure Gauge
11	Cold Feed 3/4" M BSPT
12	Cold Balance 3/4" M BSPT
13	Domestic Hot Water Outlet 3/4" M BSPT
14	Zone 1 (Underfloor open) 1" M BSPT
15	Zone 2 (Radiators or Underfloor) 3/4" M BSPT
16	Return to Heat Pump 1" M BSPT
17	Return from Central Heating 1" M BSPT
18	Flow from Heat Pump 1" M BSPT
19	Immersion Heater
20	Tundish & Discharge Connection
21	Zone 1 - ø28mm Motorised valve
22	Zone 2 - ø22mm Motorised valve
23	Mirror box
24	Controller

Front View
210 Litre

Front View
180 Litre

Side View



Customer Service

We, the Firebird team, offer you, our customer, top quality service. We monitor the level of service provided on a regular basis to ensure our customers' requirements are always met.



Technical Support

Our Technical team will provide you with a comprehensive technical support package which is designed to make the specification and installation process as simple as possible.

Please contact the Firebird Technical team on

+353 (0)26 45253 / +44 (0)1752 691177

or **service@firebird.ie / technicalhub@firebird.uk.com**



Quality

At Firebird, we produce our appliances to the highest standards and put them through rigorous testing procedures by external standards agencies. We design each product to meet specific requirements and we manufacture using premium quality materials to precise standards and tolerances.



Warranty

Comprehensive warranties on all parts. See Firebird website for full details: **www.firebird.ie**.



Environment



Innovation



Technology

Firebird Ireland

Firebird
Údáras Industrial Estate
Baile Mhic Íre
Co. Cork
P12 HK51
Ireland

t: +353 (0)26 45253
f: +353 (0)26 45309
e: sales@firebird.ie

Northern Ireland

Firebird
Shean
Forkhill
Newry
BT35 9SY
Northern Ireland

t: +44 (0)28 3088 8330
f: +44 (0)28 3088 9096
e: salesni@firebird.ie

United Kingdom

Firebird
Phoenix House
Eastern Wood Road
Language Industrial Estate
Plympton
Plymouth, PL7 5ET
United Kingdom

t: +44 (0)1752 691177
f: +44 (0)1752 691131
e: sales@firebird.uk.com

This brochure was correct at the time of going to print. However, Firebird's policy is one of continuous development. The right is reserved to change specifications, colour, and prices of the models and items illustrated and described in the publication at any time. Whilst every care has been exercised in the production of this brochure, Firebird cannot accept any liability for errors or omissions. For current details always consult Firebird.

BRQPU002 03/2022

www.firebird.ie | www.firebird.uk.com



IRELAND



UNITED KINGDOM